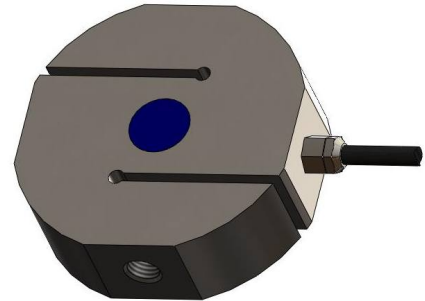


Force sensor CL 014

- tension and compression forces
- s-shape
- three year warranty
- compliant with amplifiers CL10D, CL72, CL100P or digital CL430

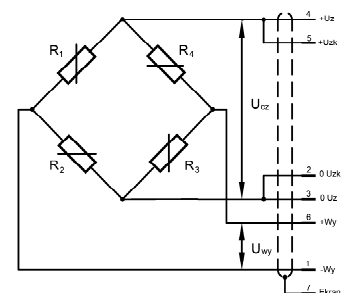


Specifications:

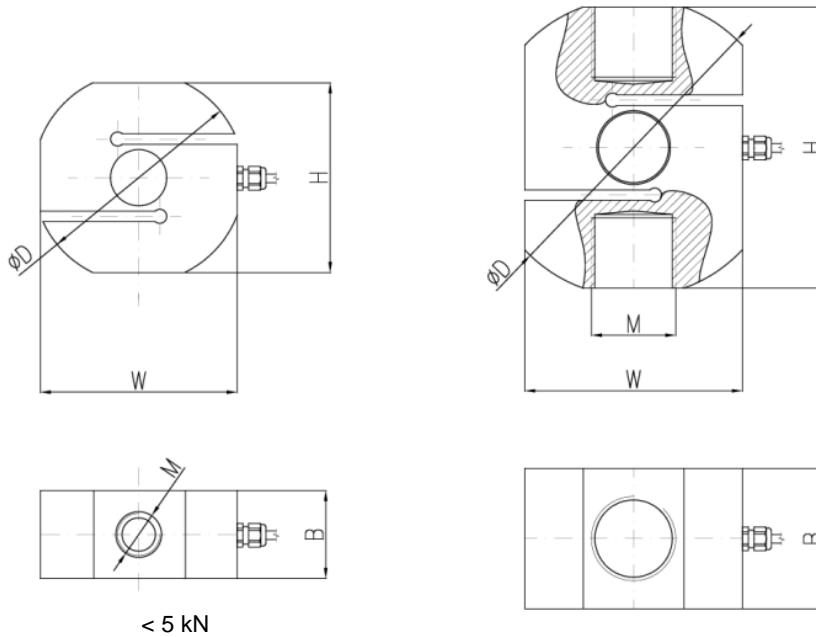
Parameter	Unit	Value
Measurement range	kN	1, 2, 5, 10, 20, 50
Non-linearity	%	0,5
Sensitivity	mV / V	1 or 2
Nominal supply voltage	Vdc	10
Input resistance	Ω	350 ± 5
Output resistance	Ω	350 ± 5
Signal of unbalanced bridge	%	$\pm 0,2$
Return to zero after unloading from nominal load	%	$\leq 0,03$
Zero drift	% / 30 min	$\leq 0,03$
Operating temperature range	K	253 - 373
Compensated temperature range	K	293 - 363
Temperature effect on the sensivity	% / 10K	$\leq 0,05$
Temperature effect on the zero point	% / 10K	$\leq 0,05$
Maximal strain	mm	0,5
Material		steel or alluminium alloy
Cable length	m	3,0 (standard) or other on request
Connector / protection degree		O-Ring gland / IP64
Maximal overload	%	50
Insulation resistance	G Ω	≥ 40

Designation and wiring:

1 brown	-Wy
3 white	0 Uz
4 yellow	+0 Uz
6 green	+Wy
7 black	shield



Strain gauge force transducer CL 014



Range [kN]	H [mm]	W [mm]	D [mm]	M [mm]	B [mm]
1	40	40	48	M8	20
2	54	56	60	M12	25
5	54	56	60	M12	25
10	80	56	85	M12	36
20	80	60	85	M24x2	40
50	80	60	85	M24x2	40

Ordering notations



Range [kN]: 1; 2; 5; 10; 20; 50

Non-linearity: 0,5%

Sensitivity: 1 mV/V; 2 mV/V

Supply voltage: 10 V

Connector: O-Ring gland

Cable length: 3 m (as a standard) or other on request

Ordering example: CL 014 – 20kN – 0,5 – R1 – O1 – 3; measuring range 20 kN; non-linearity 0,5%; sensitivity 1 mV/V; supply voltage 10V; connector – O-Ring gland; cable length 3 m

Manufacturer

ZEPWN J.Czerwiński i Wspólnicy spółka jawna, 05-270 Marki, ul. Kołtąja 8

tel./fax: (004822) 7812169, 7712411, e-mail: zepwn@zepwn.com.pl, <http://www.zepwn.com.pl>